

High pressure sensor CL BF1

- High pressure measurement in hydraulic main lines
- High accuracy and reliability
- High stability and repeatability
- Wide temperature range
- Three year warranty and after market service



CL BF1 is a high pressure sensor with a tubular elastic element and a compensated strain gage full bridge. The sensor can be used in high pressure hydraulic main lines in labor or industrial environment. It can be used for other high pressure applications.

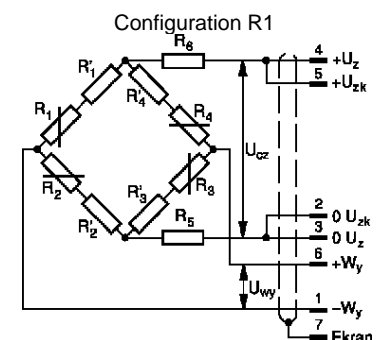
The CL BF1 sensor is manufactured in the R1 configuration.

Specifications:

Range	[MPa]	100; 240
Accuracy		0,5; 1
Output signal:	mV/V	1
Nominal supply voltage:	[V]	10
Strain gage resistance	[Ω]	350
Operating temperature	[°C]	-20 ÷ 45
Protection degree		IP 40
Material		stainless steel
Dimensions		according to drawing
Cable length		0,5 m (standard) or other requested
Connectors		Z1 - LUMBERG, O1 – O-ring gland

Designations and cable outlets

1 brown	-W _y
2 pink	0 U _{zk}
3 white	0 U _z
4 yellow	+U _z
5 grey	+U _{zk}
6 green	+W _y
7 black	shield

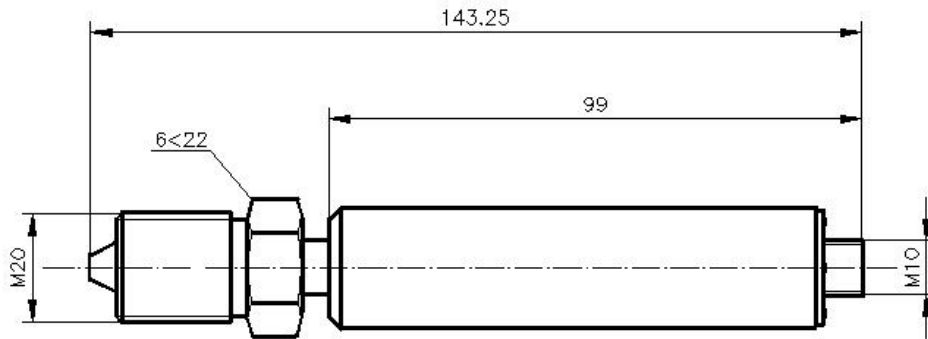


Manufacturer:

Zakład Elektroniki Pomiarowej Wielkości nielektrycznych, Poland, 05-270 Marki, ul. Kołłątaja 8
tel./fax (0048 22) 781 21 69, 771 24 11, e-mail: zepwn@zepwn.com.pl, <http://www.zepwn.com.pl>

High pressure sensor CL BF1

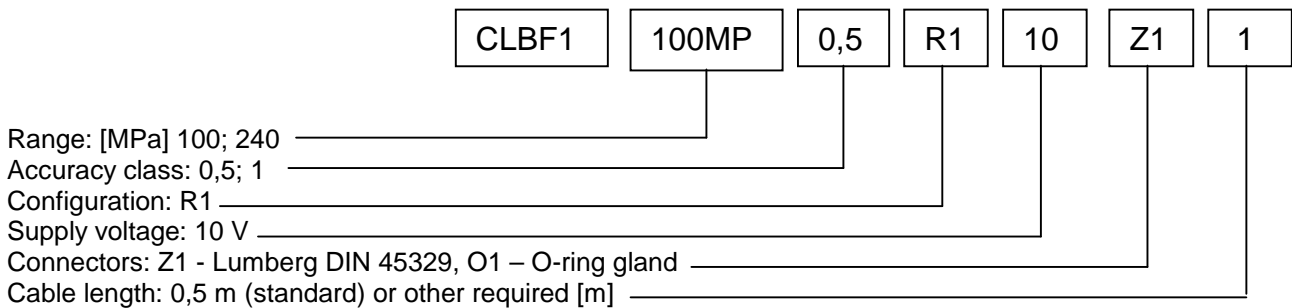
Dimensions:



Quality assurance

Each sensor is detailed examined after manufacturing process. The manufacturer offers 36 month warranty for the sensor and after that time also repair and calibration services.

Options:



Example of options for ordering: CL BF1 - 100 MPa - 0,5 - R1 - 10 - Z1 – 1: sensor with range 100 MPa; accuracy class 0,5; strain gage bridge 350 Ω with sensitivity 1mV/V; supply voltage 10 V; connector Lumberg; cable length 1 m.

Manufacturer:

Zakład Elektroniki Pomiarowej Wielkości nieelektrycznych, Poland, 05-270 Marki, ul. Kołtąja 8
tel./fax (0048 22) 781 21 69, 771 24 11, e-mail: zepwn@zepwn.com.pl, <http://www.zepwn.com.pl>