

DC AMPLIFIER CL 10D

- Gain from single strain gage sensor
- Data bus DIN 35 ready
- Operating temperature $-25 \div +65$ °C
- Supply 24 V DC
- Three year warranty



DC amplifier CL 10 is assigned for use with a single strain gage sensor with $120 \div 1200 \Omega$ full bridge. The amplifier can be used to gain signal from strain gage force sensor, weight load cells and pressure sensors. It is especially suitable for applications in difficult climatic and mechanical environment. This amplifier is assigned for industrial use and other environments demanding high protection against dust, vibrations and humidity.

Specifications

Type		CL 10D
Gain	V/V	100*
Transmission band	Hz	20
Fluent gain adjustment	%	$\pm 10\%$
Supply voltage	V	10**
Minimal resistance of sensor set	Ω Ω	120 for 5 V supply 350 for 10 V supply
Max. cable length (to sensor)	m	5
Long term instability of output signal	%/month	$\leq 0,2$
Nonlinearity	%	$\leq 0,1$
Temperature effect on gain	%/10°C	$\leq 0,05$
Temperature effect on creep of output signal	%/10°C	$\leq 0,05$
Operating temperature	°C	$-25 \div +65$
Input: - type - resistance	$G\Omega$	symmetric ≥ 1
Voltage output: - type - maximal voltage - maximal current - load resistance	V mA Ω	asymmetric ± 10 24 1
Current output: - type - maximal voltage - load resistance	mA Ω	asymmetric 24 400
Supply: - voltage - current - length of supplying cable	V mA m	+ 24 + 80 < 3

* Standard parameter positioned inside of amplifier. Possible other variations in range $50 \div 1000$ V/V.

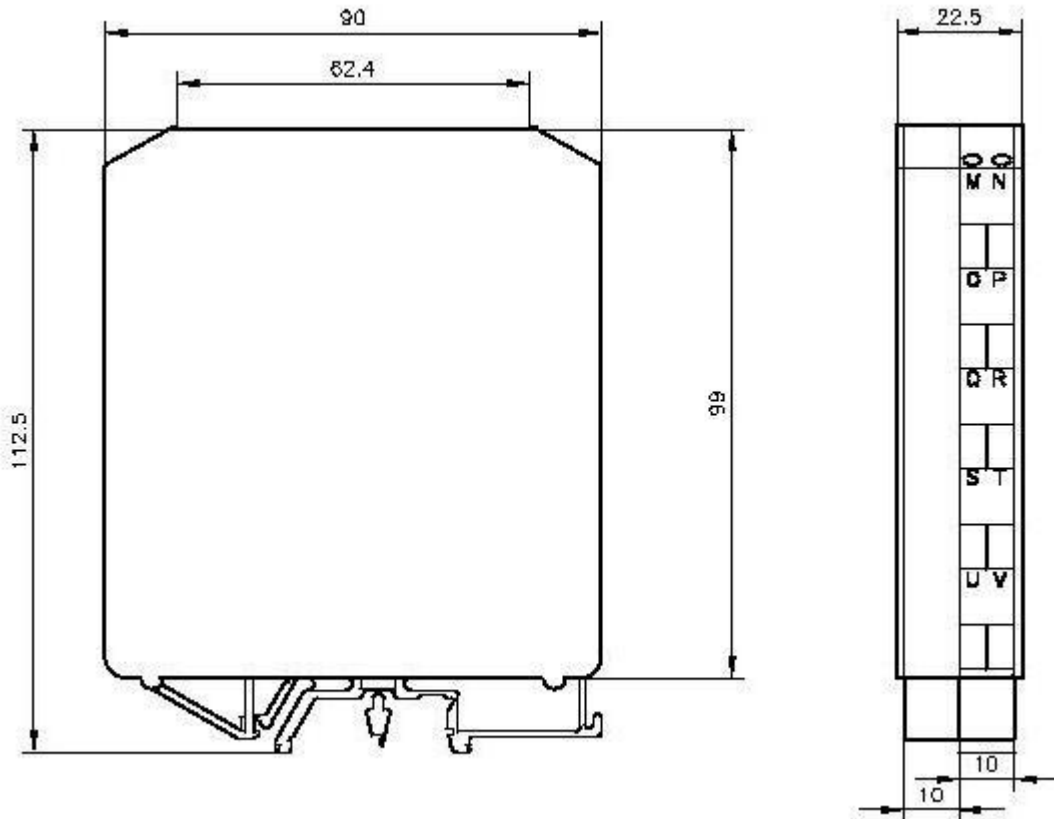
** Standard parameter of amplifier. Possible also version 5 V.

DC amplifier CL 10D

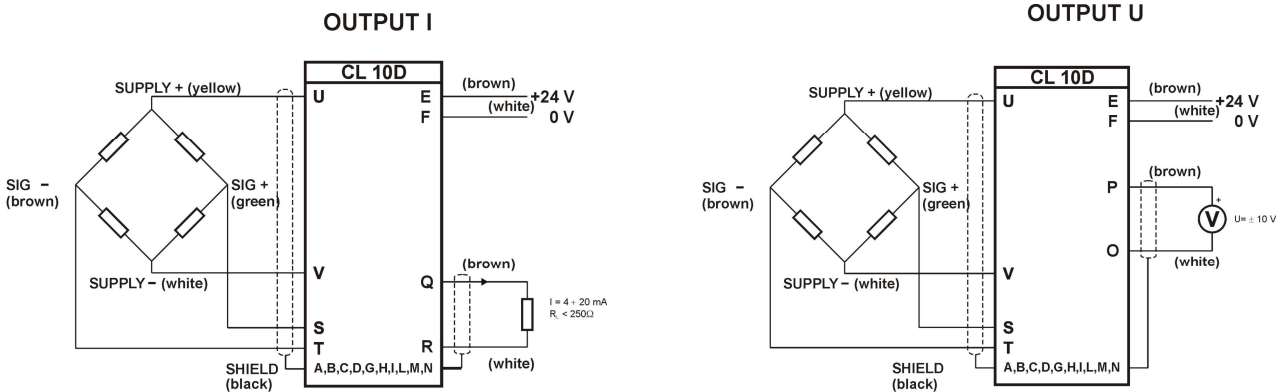
Quality assurance

Each amplifier is examined internally before sale.
 Manufacturer offers 36 month warranty and after sales service.

Overall dimensions:



Connections:



Manufacturer:

ZEPWN J. Czerwiński i Wspólnicy – spółka jawna, Poland, 05-270 Marki, ul. Kołłątaja 8
 tel./fax: (004822) 7812169, 7712411, e-mail: zepwn@zepwn.com.pl, <http://www.zepwn.com.pl>