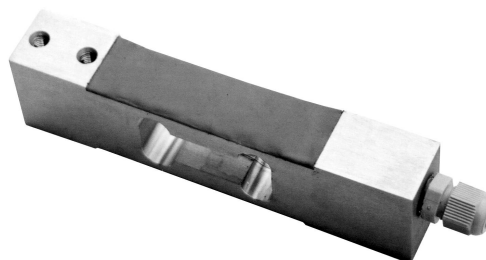


Weight load cell CL 17Mp

- High accuracy
- High stability and repeatability
- Simple assambling
- Thin shape
- Insensitive against out of alignment forces
- Three year warranty and after market service



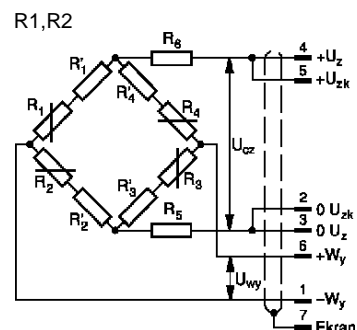
Weight load cell has been designed for one-sensor platform scales with low load range. Especially useful when the thin shape of scales and high accuracy are essential. The conversion of measured load is realized due to an aluminium or steel spring element with strain gauge full bridge. The bridge is balanced and thermal compensated. Conversion elements are made of aluminium, which is secured against corrosion with electrolytic coating. For electrical protection IP67 the sensor is equipped with stuffing on connection cable.

Specifications:

Range [kg]:	1, 2, 5, 10, 20, 50, 100, 200, 500
Accuracy class:	0,05 or 0,1
Signal of unbalance [%]:	±2
Signal of unbalance from zero after nominal load take away (30 min) [%]:	0,03
Drift of output signal by nominal load (30 min) [%]:	0,03
Temperature effect on the signal of unbalance [%/10 K]:	0,05
Temperature effect on sensitivity [%/10 K]:	0,05
Nominal supply voltage [V]:	10
Nominal sensitivity [mV/V]:	1 or 2
Input resistance [W]:	410 ± 10
Output resistance [W]:	350 ± 5
Overload capacity [%]:	150
Operating temperature [°C]:	-20 ÷ 80
Compensation temperature [°C]:	0 ÷ 90
Nominal strain [mm]:	0,5
Connector:	O1 – O-ring gland
Protection degree:	IP67
Insulation resistance [GW]:	1
Material:	aluminium
Cable length:	0,5 m (standard) or other optional

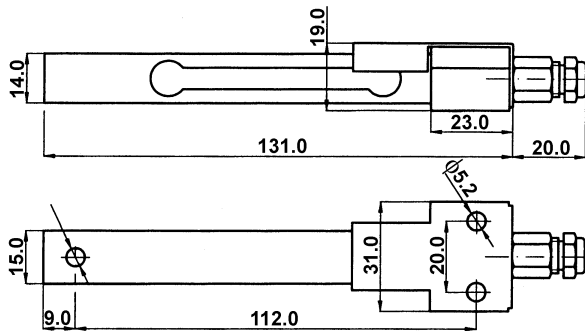
Designations and cable outlets

1 brown	-W _y
2 pink	0 U _{zk}
3 white	0 U _z
4 yellow	+U _z
5 grey	+U _{zk}
6 green	+W _y
7 black	shield

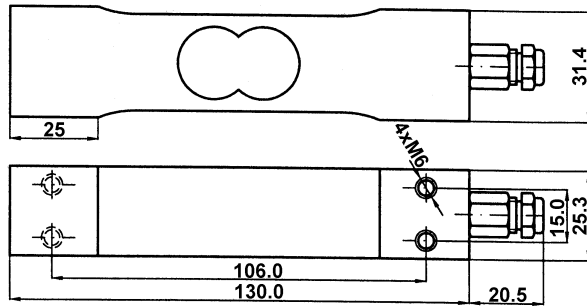


Weight load cell CL 17Mp

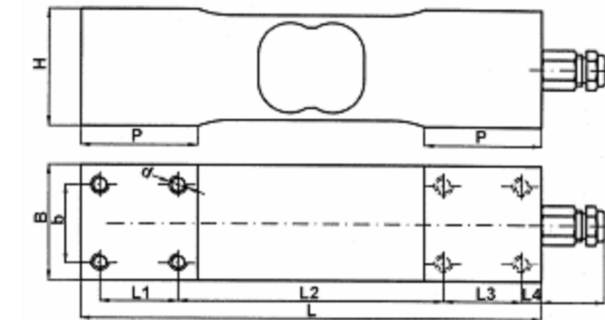
Range: 1; 2 kg



Range: 5; 10; 20; 50; 100 kg



Range: 200; 500 kg



Zakres (kg)	B	H	L	L1	L2	L3	L4	P	b	d
200; 500	40	59	188	35	107	35	5,5	46	50	M8

Quality assurance

Each sensor is detailed examined after manufacturing process.

The manufacturer offers 36 month warranty for the sensor and after that time also repair and calibration services.

Options:

CL 17Mp

5 kg

0,1

R2

10

O1

1

Range [kg]: 1; 2; 5; 10; 20; 50; 100; 200; 500

Accuracy class: 0,05; 0,1

Configuration: R1 – bridge 350Ω, 1 mV/V, R2 – 350 Ω, 2 mV/V

Supply voltage: 10 V

Connectors: Z1 – Lumberg DIN 45329; O1 – stuffing with stay wire

Cable length: standard 0,5 m or other optional

Example of options for ordering

CL 17Mp – 5 kg – 0,1 – R2 – 1- O1 – 1: sensor with dimensions as in table, range 5 kg; accuracy 0,1; strain gauge bridge 350 Ω, 2 mV/V; connectors as stuffing on cable; cable length 1 m.

Producent i dystrybutor

Zakład Elektroniki Pomiarowej Wielkości Nielektrycznych, 05-270 Marki, ul. Kołtątaja 8

tel./fax: (022) 7812169, 7712411, e-mail: zepwn@zepwn.com.pl, <http://www.zepwn.com.pl>