

### Differential pressure sensor CL 2

- Processing of differential pressure
- High accuracy and reliability
- High stability and repeatability
- Wide temperature range
- Three year warranty and after market service



A sensor with two flat diaphragms and a strain gage full bridge. The bridge is balanced and thermal compensated. The sensor can be used in labors and industry to measure relative pressure, both static and slow-changing in aggressive chemical liquids or gases. Especially recommended by processing differential pressure into electrical signal in automatic hydraulic systems or industrial pneumatic mains.

The sensor CL 2 can be made in following configurations:

- R1 – strain gage bridge
- 2I4, 3U1, 3U5 – with processing unit in sensor's casing.

#### Specifications:

Range		[MPa]	0,10; 0,24; 0,64; 1,0; 2,4; 6,4; 10; 24; 64
Accuracy			0,5; 1
Output signal:	R1	mV/V	10
	2I4	mA	4 ÷ 20
	3U1	V	1
	3U5	V	5
Nominal supply voltage:	R1		10
	2I4	[Vdc]	12 ÷ 36
	3U		12 or 24
Strain gage resistance		[Ω]	350
Operating temperature		[°C]	-20 ÷ 45
Protection degree			IP40, IP67
Material			steel, aluminium
Dimensions			Ø30x110
Cable length			0,5 m (standard) or other optional
Connector			Z1 - LUMBERG, O1 – O-ring gland

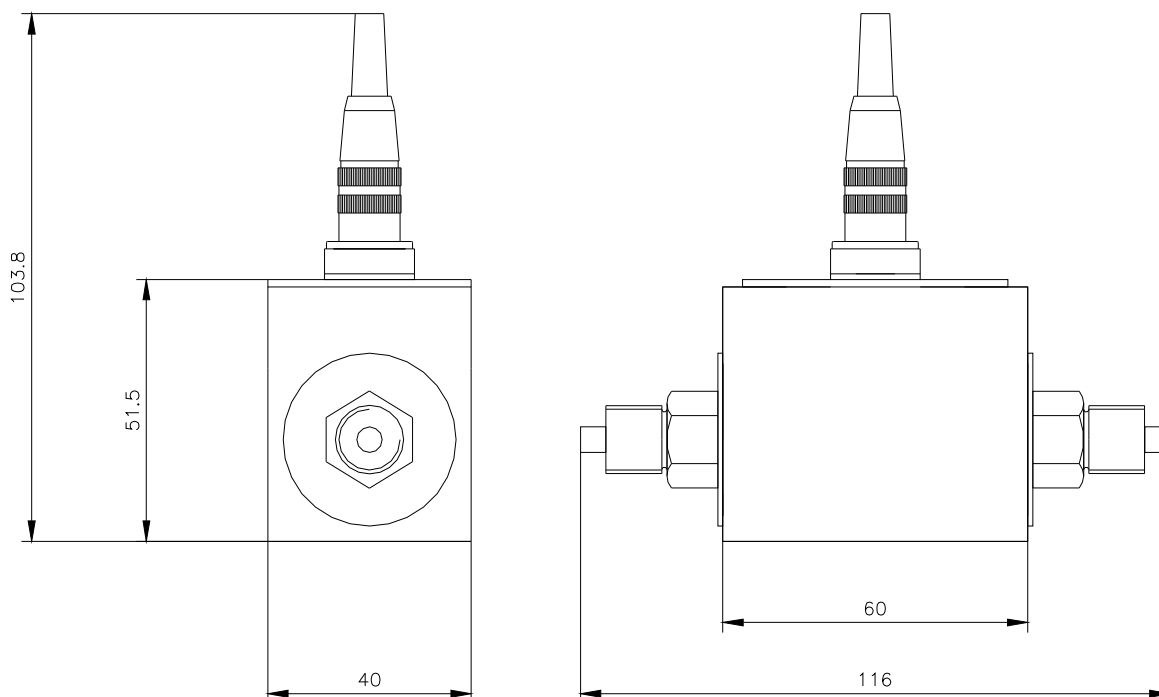
Manufacturer:

Zakład Elektroniki Pomiarowej Wielkości nielektrycznych, 05-270 Marki, ul. Kołtąja 8

tel./fax 004822 781 21 69, 771 24 11, e-mail: [zepwn@zepwn.com.pl](mailto:zepwn@zepwn.com.pl), <http://www.zepwn.com.pl>

## Differential pressure sensor CL 2

### Dimensions:

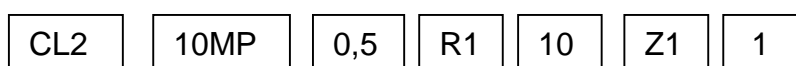


### Quality assurance

Each sensor is detailed examined after manufacturing process.

The manufacturer offers 36 month warranty for the sensor and after that time also repair and calibration services.

### Options:



Range: [MPa] 0,1; 0,24; 0,64; 1,0; 2,4; 6,4; 10; 24; 64

Accuracy: 0,5; 1

Configuration: R1; 2I4; 3I0; 3I4; 3U1, 3U5

Supply voltage: 10 V, 12 V, 24 V

Connector: Z1 - Lumberg DIN 45329, O1 – stuffing with stay wire

Cable length: 0,5 m (standard) or other optional [m]

### Example of options for ordering:

CL 2 - 10 MPa - 0,2 - R1 - 10 - Z1 - 1: sensor with the range 10 MPa; accuracy 0,5; strain gage resistance 350  $\Omega$  and sensitivity 1mV/V; supply voltage 10 V; connector Lumberg; cable length 1 m.

Manufacturer:

Zakład Elektroniki Pomiarowej Wielkości nieelektrycznych, 05-270 Marki, ul. Kołłątaja 8

tel./fax 004822 781 21 69, 771 24 11, e-mail: [zepwn@zepwn.com.pl](mailto:zepwn@zepwn.com.pl), <http://www.zepwn.com.pl>