

Torque sensor CL 22

- Torque measurement on non-rotating elements
- High accuracy and reliability
- Two-directional
- Wide temperature range
- Three year warranty and after market service



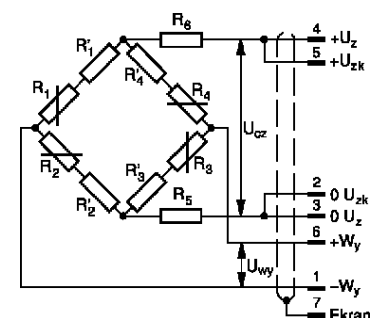
The torque sensor CL 22 has been designed for static torque measurements in such instruments as torque wrenches, combustion engine brakes and similar devices.

The conversion of torque is realized due to a strain element in form of metal bush with foil strain gages in a compensated full bridge.

Range	[Nm]:	10; 20; 50; 100; 200; 500; 1000; 2000; 3000
Configurations		R1, R2
Sensitivity	[mV/V]	1 - R1, 2 - R2
Configurations		R1; R2
Output signal	[mV/V]	1 - R1, 2 - R2
Accuracy		0,05 or 0,1
Nominal supply voltage	[V]	10
Strain gage resistance	[Ω]	350
Input resistance	[Ω]	380 ± 5
Output resistance	[Ω]	350 ± 5
Zero point deviation	[%/30 min]	≤ 0,03
Return of output signal to zero after nominal load take away	[%]	≤ 0,03
Operating temperature	[°C]	-20 ÷ 100
Temperature effect on the sensitivity	[%/10K]	≤ 0,05
Temperature effect on the signal of unbalance	[%/10K]	≤ 0,05
Compensation temperature	[°C]	0 ÷ 90
Maximal angular strain	[°]	≤ 10
Connectors		Z1 – LUMBERG or O1- O-ring gland
Protection degree		IP40, IP68
Dimensions		as in table below
Material		steel, aluminium
Cable length		0,5 m (standard) or other optional

Designations and cable outlets

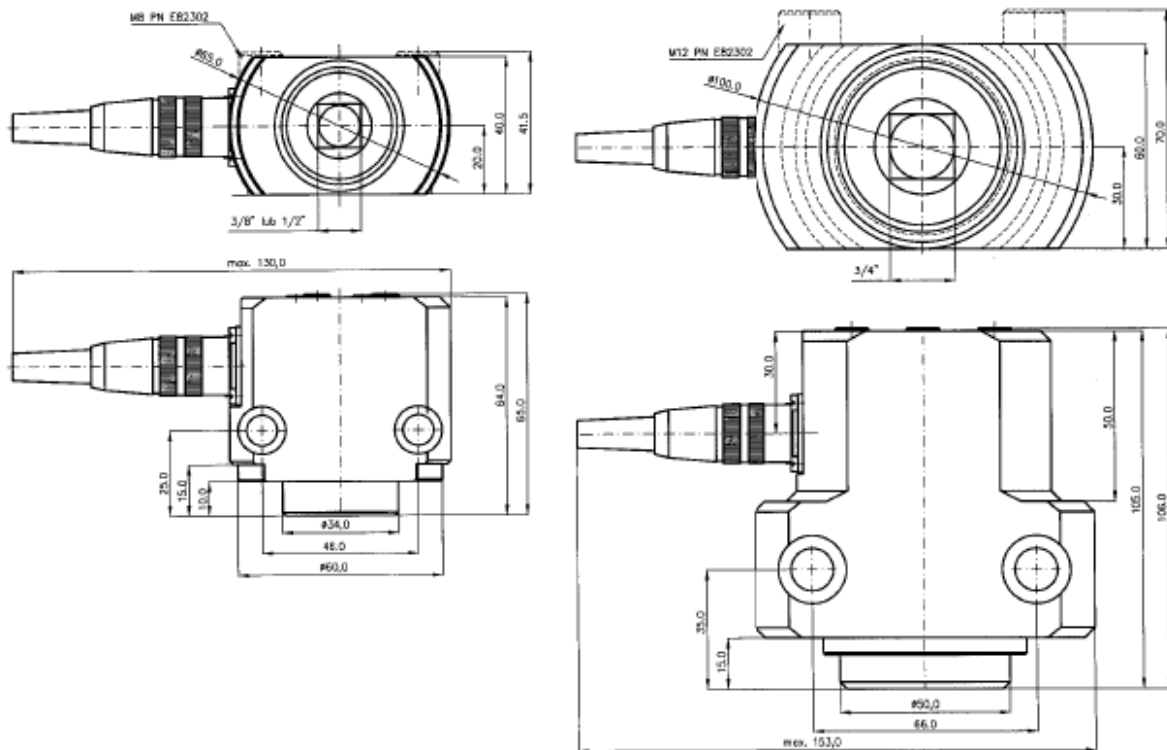
1 brown	-W _y
2 pink	0 U _{zk}
3 white	0 U _z
4 yellow	+U _z
5 grey	+U _{zk}
6 green	+W _y
7 black	shield



Manufacturer:

Zakład Elektroniki Pomiarowej Wielkości nielektrycznych, Poland, 05-270 Marki, ul. Kołtątaja 8
tel./fax 004822 781 21 69, 771 24 11, e-mail: zepwn@zepwn.com.pl, <http://www.zepwn.com.pl>

Torque sensor CL 22

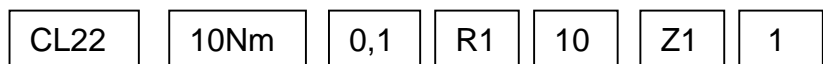


Quality assurance

Each sensor is detailed examined after manufacturing process.

The manufacturer offers 36 month warranty for the sensor and after that time also repair and calibration services.

Options:



Range: [Nm] 10; 20; 50; 100; 200; 500; 1000; 2000; 3000

Accuracy: 0,05; 0,1

Configuration: R1; R2

Supply voltage: 10 V

Connector: Z1 - Lumberg DIN 45329, O1 – stuffing with stay wire

Cable length: 0,5 m (standard) or other optional [m]

Example of options for ordering: CL 22 - 10 Nm - 0,1 - R1 - 10 - Z1 – 1: sensor with the range 10 Nm; accuracy 0,1; strain gage resistance 350 Ω and sensitivity 1mV/V; supply voltage 10 V; connector Lumberg; cable length 1 m.

Manufacturer:

Zakład Elektroniki Pomiarowej Wielkości nieelektrycznych, Poland, 05-270 Marki, ul. Kołtąja 8
tel./fax 004822 781 21 69, 771 24 11, e-mail: zepwn@zepwn.com.pl, <http://www.zepwn.com.pl>