

### Force sensor CL 23 / CL 23M on brake pedal

- for tests on brake pedal
- co-operates with some roller brake tester
- co-operates with decelerometer CL170
- insensitive against non-axial forces
- mounted on brake pedal
  - with magnetic clamp - version CL 23M
  - with elastic band – version CL 23
- EMC complied
- three year warranty



**CL 23**

### Purpose

The CL 23 and CL23M force sensors on brake pedal are measuring compression forces. The sensor is high accurate and insensitive against non-axial forces. It can co-operate with decelerometer CL170 and some roller brake tester by car technical inspections or by quality check in motorcar factory.

### Sensor versions

The sensor is offered in two versions:

- CL 23 – mounted on brake pedal with elastic band
- CL 23M – mounted on brake pedal with magnetic clamp

### Specifications

- Measuring range.....1 kN
- Output signal.....1 mV/V
- Accuracy in a measuring range..... 0,5
- Nominal supply voltage..... 10 V
- Input resistance ..... 350 ± 5 Ω
- Output resistance ..... 350 ± 5 Ω
- Drift error for nominal load.....(%/30 min.) ≤ 0,03
- Operating temperature.....-10...+70°C
- Maximal displacement..... 0,1 mm
- Connector.....OI – O-ring gland
- Protection degree..... IP66
- Material.....steel
- Cable length.....1 m (standard) or other on request



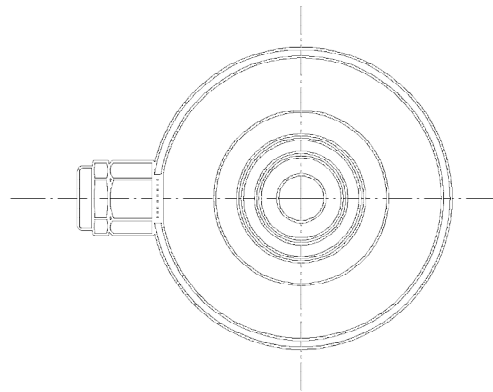
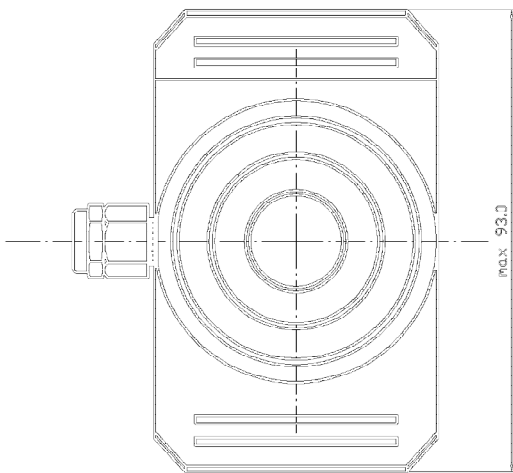
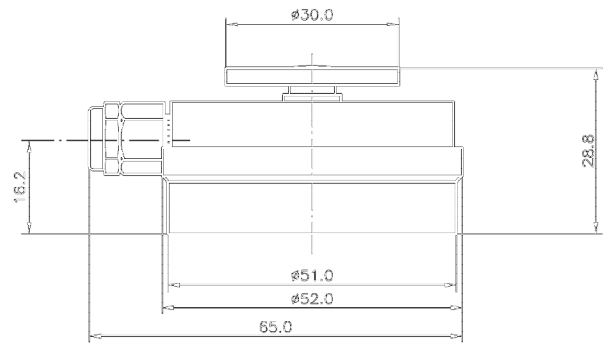
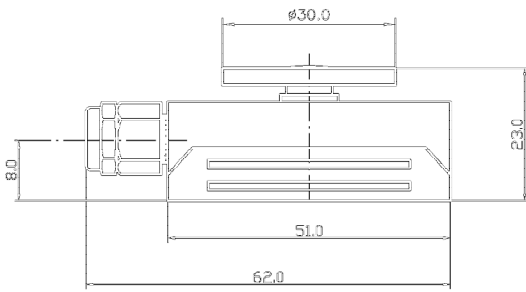
**CL 23M**

### Manufacturer:

**ZEPWN J. Czerwiński i Wspólnicy sp.j.**  
 Poland, 05-270 Marki, ul. Kołłątaja 8  
 tel./fax: (004822) 771 24 11, 781 21 69  
 e-mail: zepwn@zepwn.com.pl

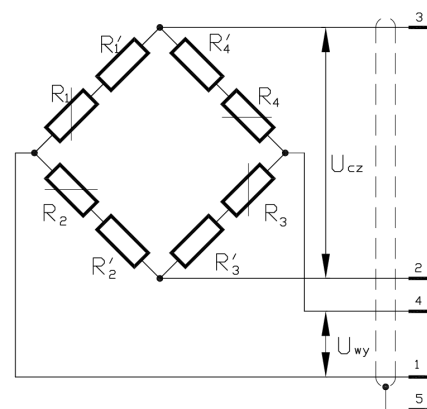


## Dimensions



## Wiring diagram

- |                 |                              |                               |
|-----------------|------------------------------|-------------------------------|
| <b>1 brown</b>  | <b>- <math>U_{wy}</math></b> | <b>Measuring signal (-)</b>   |
| <b>2 white</b>  | <b>0 <math>U_{cz}</math></b> | <b>Excitation voltage</b>     |
| <b>3 yellow</b> | <b>+<math>U_{cz}</math></b>  | <b>Excitation voltage (+)</b> |
| <b>4 green</b>  | <b>+<math>U_{wy}</math></b>  | <b>Measuring signal (+)</b>   |
| <b>5 black</b>  |                              | <b>Cable shielding</b>        |



**Manufacturer:**



**ZEPWN J. Czerwiński i Wspólnicy sp.j.**  
 Poland, 05-270 Marki, ul. Kołłątaja 8  
 tel./fax: (004822) 771 24 11, 781 21 69  
 e-mail: zepwn@zepwn.com.pl