

Device for controlling of inertial brake in trailers up to 5 t.

- Measurement equipment for car inspection stations
- Suitable for each type of tow hook
- High accuracy of applied force
- For inspection of brake in trailers up to 5 ton
- 36 month warranty and after market service



WN 500 has been assigned for applied controlled force on the inertial brake mechanism in trailers with bowl tow hook with diameter 50 mm during car technical inspection, repairs and adjusting of inertial brake mechanism.

The device WN 500 is suitable for car technical inspection stations.

The embodiment of WN 500 is based on a double-arm lever mounted to the tow bar of the trailer using belt with a hook. The lever-end is to install on the spherical catch of car and the operator reacts on the brake mechanism.

The device is equipped with an electronic force meter, where the force is applied on the spherical catch. An integrated belt stretcher allows regulate the length of brake rod to the different shapes of catch.

Specifications:

Range of force loaded by lever	[daN]	0-500
Applying force on the brake mechanism		manually by lever
Force measurement accuracy	[daN]	± 2
Operating temperature	[°C]	5 ÷ 50
Relative humidity	[%]	< 90
Air pressure	[hPa]	860-1060
Dimensions	[mm]	1648 x 130 x 75
Weight	[kg]	12

The standard set includes:

- Device for loading force WN500
- Short operating instruction
- Operating manual
- Batteries
- Feeder for battery charging

Accessories:

- Connector RS 485
- Cable to connector RS 485

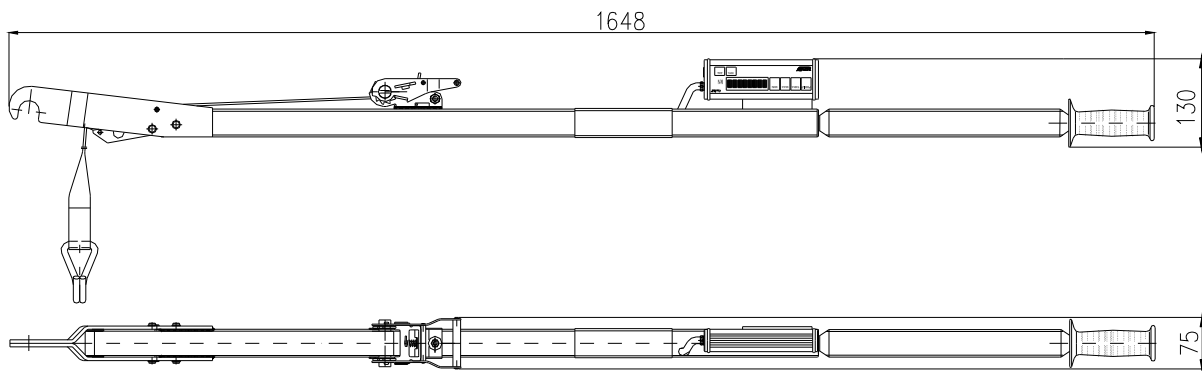


Manufacturer:

Zakład Elektroniki Pomiarowej Wielkości nielektrycznych, Poland, 05-270 Marki, ul. Kołtąja 8
tel./fax 004822. 781 21 69, 771 24 11, e-mail: zepwn@zepwn.com.pl, <http://www.zepwn.com.pl>

Device WN 500

Dimensions:



Manufacturer:

Zakład Elektroniki Pomiarowej Wielkości nieelektrycznych, Poland, 05-270 Marki, ul. Kołtąja 8
tel./fax 004822 781 21 69, 771 24 11, e-mail: zepwn@zepwn.com.pl, <http://www.zepwn.com.pl>