



T24-GW1

mantracourt

## Wireless Gateway with Modbus and ASCII Serial Output



### Introduction

The T24-GW1 is a gateway that provides a standard serial interface to gather data from up to 100 transmitter modules in a T24 telemetry system using either the Modbus RTU protocol or a simple ASCII protocol.

The data sent by transmitter modules can be utilised by multiple receivers such as displays, handheld readers, analogue outputs, relay modules and computer interfaces. Receivers support common industrial power supplies and are available in robust IP rated enclosures with internal antennas optimised to give outstanding coverage.

The T24-GW1 supports RS232 and RS485 connectivity. Some simple commands are available to wake, sleep, and keep awake T24 transmitter modules.

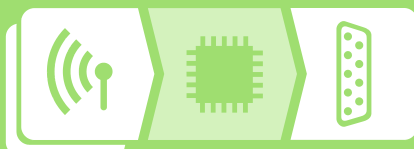
The T24 Toolkit software offers a fast and simple way to configure the gateway module.

### Product Features

- Can gather data from up to 100 acquisition modules
- Standard communication interface
- Wireless configuration
- Range of up to 800 m (2,600 ft)
- Free software

### Industry Solutions

- Interface with industrial PLC's
- Simple connection to existing DAQ systems (i.e. LabVIEW or DASyLab)



### T24 System Overview



T24 Wireless Telemetry Sensor System is a modular wireless solution for industrial sensor applications.

High accuracy, high quality measurement is interfaced with simple yet powerful configuration and monitoring software.

## Specifications

### Power Supply

**Power supply voltage** 9 to 32 Vdc

**Supply current at 12V (typical)** 100 mA

### Radio

**Radio type** Licence exempt transceiver

**Radio frequency** 2.4 GHz

**Transmit power** 10 mW

**Range** Up to 800 m

### Environmental

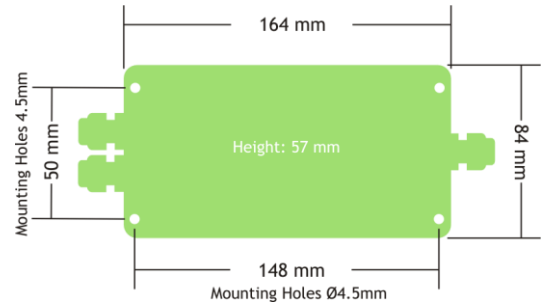
**Operating temperature range** -20 to 55 °C

**Storage temperature range** -40 to 85 °C

**Maximum humidity** 95% non-condensing

**IP rating (excluding USB connector)** IP67/Nema4

## Mechanical



## Electrical



## Order Codes

### T24-GW1

Wireless gateway with Modbus and ASCII serial output in IP67 enclosure

**Mantracourt Electronics Ltd**  
The Drive, Farringdon  
Exeter, Devon, UK  
EX5 2JB

**Tel: +44 (0)1395 232020**  
**Email: sales@mantracourt.com**  
**mantracourt.com**

