

Force meter CL 162z

- Tensile and compressive force measurement
- High accuracy and repeatability
- EE-PROM memory
- RS 485 connection to PC (option)
- Large load accessories program
- Three year warranty and after market service



Electronic force meter CL162z is assigned for tensile and compressive force measurement in range up to 750N. The results are shown on the LCD-display. Additional functions are: tare, minimum and maximum force memory and stop function for last measured value.

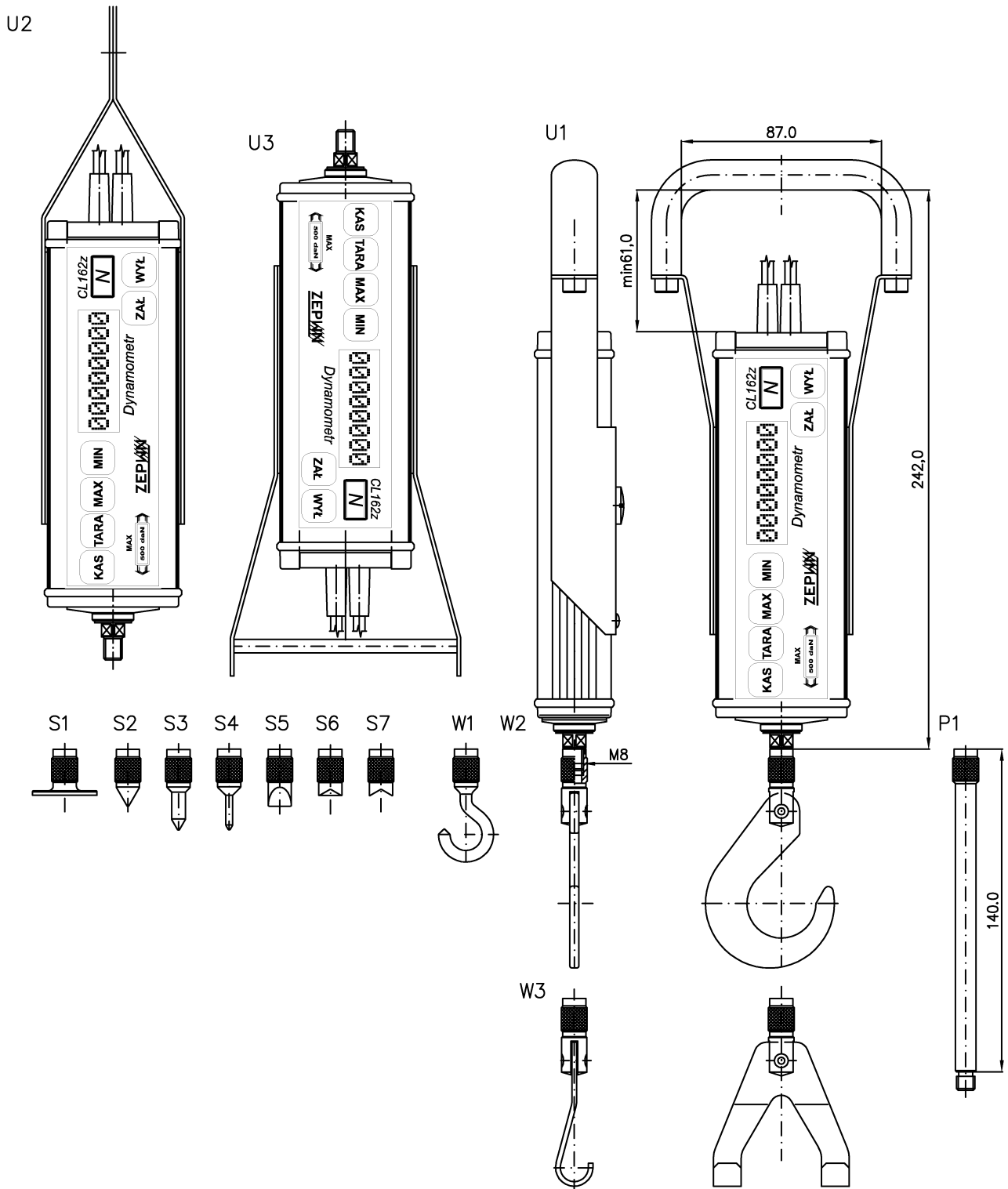
The CL 162z device is controlled by an integrated program, which parameters can be modified by User. They are stored in electrically programmable read-only EE-PROM memory and trip-out of supply voltage doesn't result in losing data.

Program procedures analysing measuring results allow to find extreme values and to signalize overflow of two comparator thresholds. CL 200 can be optional provided with RS 485 or RS 232 connection to transmit measurement results to devices and computer systems.

Specification:

Measuring range	±500N (±200N or ±100N)
Overload capacity	max. 50% of measuring range
A/C converter resolution	60000 graduations + sign
Maximal measuring error for 20°C	< 0,0015% + force sensor error
Temperature measuring error	< 0,02%/10K + force sensor error
Single measurement time	0,2 sec.
Display updating time	0,4 sec.
Averaging	arithmetic average from 1÷8 measurements
Additional functions	minimum and maximum, tare
Tare	0÷100% of nominal value
Display	LCD with illuminated 8 characters
Digit height	10 mm
Maximal indication	±99999
Acoustic signal	buzzer
Communication outputs (option)	in series RS 485 (or optional RS 232)
Number of comparator thresholds	2
Signal for comparator thresholds	double sound signal from buzzer
Transmission parameters	4800 bauds, 8 data bits, 2 stop bits, without parity control
Supply	+6V (5 batteries 1,2V)
Power consumption from batteries	< 70mA during operation and < 0,02mA when out of operation
Operating range between charging	ca 10 hours of continuous use
Signal of discharging	singular sound signal from buzzer every second
Charging time	14 ÷ 16 hours
Temperature range	0 ÷ 50 °C
Relative humidity	20 ÷ 80%
Dimensions (without load accessories)	170 × 60 × 32 mm

Force meter CL162z



Manufacturer

Zakład Elektroniki Pomiarowej Wielkości Nielektrycznych, 05-270 Marki, ul. Kołtąja 8
 tel./fax: 004822. 7812169, 7712411, e-mail: zepwn@zepwn.com.pl, http://www.zepwn.com.pl