

## Force sensor CL 21rs

- tension and compression
- measures only the axial component of the loading force
- low dimensions
- three year warranty and after market service
- on request can be supplied with a calibration certificate issued by accredited ZEPWN calibration laboratory or by Central Office of Measures in Warsaw
- operates with amplifiers CL10D, CL100P, CL72-3U, CL72-3I and devices CL450, CL460, CL162ze, CL300

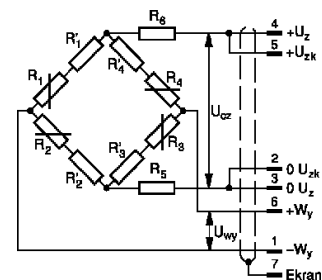


## Specifications

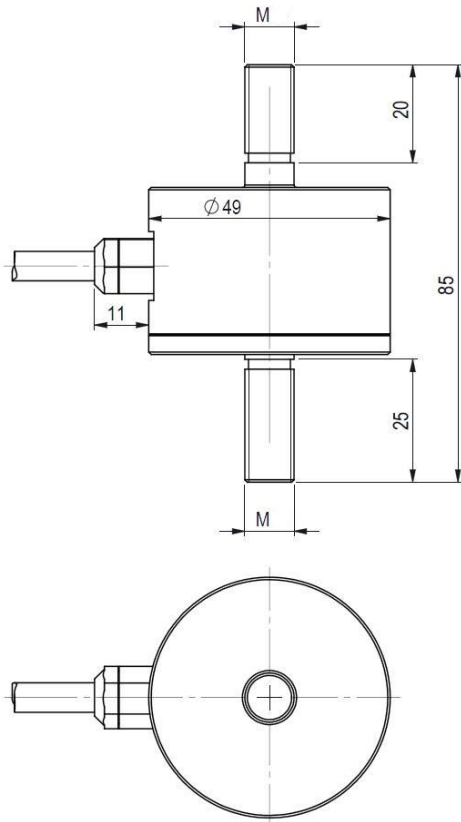
Parameter	Unit	Value
Measuring range	kN	1; 2; 5; 10
Nonlinearity	%	≤0,5
Sensitivity	mV / V	1 or 2
Nominal supply voltage	Vdc	10
Input resistance	Ω	730 ± 25
Output resistance	Ω	700 ± 5
Signal of bridge imbalance	%	±0,2
Return of output signal after nominal load removed	%	≤0,03
Drift by nominal load	% / 30 min	≤0,03
Temperature limits	K	253 - 373
Temperature compensation	K	293 – 363
Temperature effect on sensitivity	% / 10K	≤0,05
Temperature effect on signal of unbalance	% / 10K	≤0,05
Maximum strain	mm	0,1
Material		stal
Cable length	m	3 (standard) or other on demand
Connector / Protection		gland with strain relief / IP64
Service load	%	50
Insulation resistance	GΩ	≥40
Own vibration frequency	kHz	> 3

Electrical connection:

- |          |         |
|----------|---------|
| 1 brown  | - out   |
| 2 pink   | - sense |
| 3 white  | - in    |
| 4 yellow | + in    |
| 5 grey   | + sense |
| 6 green  | + out   |
| 7 black  | shield  |



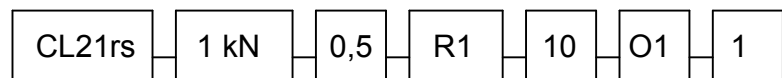
# Force sensor CL 21rs



Range	M*
1-5 kN	M 8
10 kN	M 10

\* other on demand

## Order codes



Range: [kN] 1; 2; 5; 10

Nonlinearity: 0,5

Sensitivity: R1 – 1 mV/V, R2 – 2 mV/V

Maximum supply voltage: 10 V

Connector: O1 – gland with strain relief

Cable length 3 m (standard) or other on demand

Ordering example: CL 21rs – 1 kN – 0,2 – R2 – 10 – O1 – 1

force sensor CL21rs, range 1kN; nonlinearity 0,5; sensitivity 2 mV/V; supply voltage 10 V; connector: gland with strain relief; cable length 1 m.

## Manufacturer

ZEPWN J. Czerwiński i Wspólnicy – spółka jawna, 05-270 Marki, ul. Kołtątaja 8

tel./fax: (22) 7812169, 7712411, e-mail: [zepwn@zepwn.com.pl](mailto:zepwn@zepwn.com.pl), <http://www.zepwn.com.pl>