


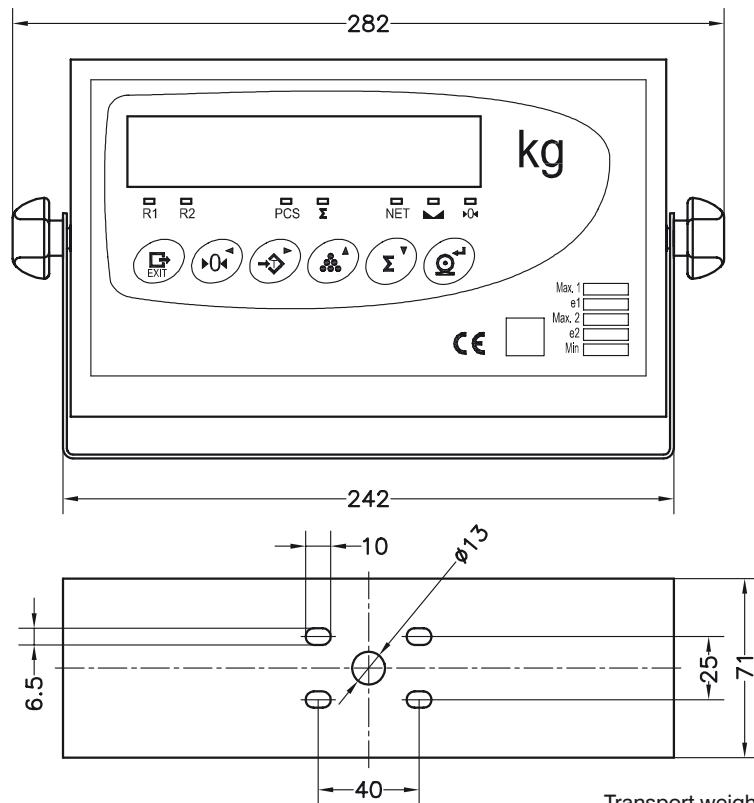
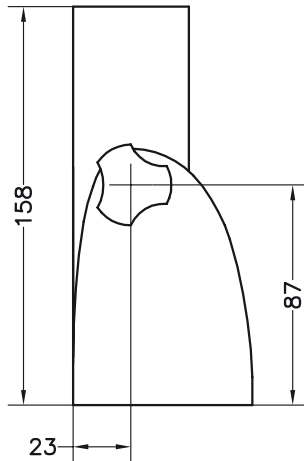
## WEIGHING INDICATOR



- **Weighing indicator**, general purpose manufactured according modern electronic technology.
- **OIML R76 & EN 45501 Approved**, single or Multi-range, 6000 div at 0,6  $\mu$ V/div.
- Friendly **configuration and calibration menu**.
- **High resolution**: 24 bits A/D, 16 million internal divisions; 100.000 external divisions. 50 reading/sec.
- **Display** 7 digit 20mm LED high bright.
- **RS-232 serie port** for PC, printer or remote display connection.
- **Excitation** at 6 V DC, for up to 4 load cells 350  $\Omega$  or 8 load cells 700  $\Omega$ .
- High electromagnetic **interference protection**.
- **Stainless Steel** enclosure with mounting kit.
- **Multi-range**: for a dual range and dual division size.
- **Standard Ticket or customized from PC**.
- **Linearity Correction**.
- **Pre-calibration mV**: Allows to start-up the scale by entering used load cell capacity and nominal sensitivity in mV/V.
- Two calibration **Sealing** methods: Software sealing by a calibration counter register or mechanical sealing. Use depends on local country regulation.
- **Applications**:
  - Weight Indicator for industrial scales, platform scales, pallet-scales, truck scales.
  - Scales in food, chemical and pharma industries, with hermetic stainless steel version IP65.
  - Weighing Indicator for Tank and Silos.
  - Piece counting and Totalizations (accumulation of weights).
  - Configurable as a weight indicator or as a remote display of other weight indicator.
  - Animal weighing / Check-weigher.

### OPTIONS:

- **Enclosure IP65**
- **Clock**
- **4 digital inputs & 4 digital outputs**
- **Analog outputs**
- **RS-485**
- **Power Supply 230 V AC or 12 V DC**
- **SMART ATEX**  version for Zone 2 (gas) and Zones 21-22 (dust)



Dimensions in mm.

Transport weight: 2.1 kg

## VERSIONS AND ACCESSORIES (additionally to general features)

### 89350 WEIGHT INDICATOR SMART

- Stainless Steel enclosure (non hermetic).
- External connectors for load cells input and RS232 Port.
- Power Supply at  $230 \pm 10\%$  V AC 50/60 Hz 6W.

### 89351 WEIGHT INDICATOR SMART IP65

- IP65 Stainless Steel enclosure.
- Hermetic cable gland entries and internal terminal connection.
- Power Supply at  $230 \pm 10\%$  V AC 50/60 Hz 6W and 12V DC (9...18 V DC) 600 mA.

### 89352 WEIGHT INDICATOR SMART TIME

- Stainless Steel enclosure (non hermetic).
- External connectors for load cells input and RS232 Port.
- Power Supply at  $230 \pm 10\%$  V AC 50/60 Hz 6W.
- Clock: Date-Time.

### 89353 WEIGHT INDICATOR SMART IP65 TIME

- IP65 Stainless Steel enclosure.
- Hermetic cable gland entries and internal terminal connection.
- Power Supply at  $230 \pm 10\%$  V AC 50/60 Hz 6W and 12V DC (9...18 V DC) 600 mA.
- Clock: Date-Time.

### 89354 WEIGHT INDICATOR SMART MULTI 1

- Stainless Steel enclosure (non hermetic).
- External connectors for load cells input and RS232 Port.
- Power Supply at  $230 \pm 10\%$  V AC 50/60 Hz 6W.

#### MULTI 1 Board:

- Clock: Date-Time.
- 4 Digital Input and 4 Digital Output.
- RS485 Communication Port.

### 89355 WEIGHT INDICATOR SMART IP65 MULTI 1

- IP65 Stainless Steel enclosure.
- Hermetic cable gland entries and internal terminal connection.
- Power Supply at  $230 \pm 10\%$  V AC 50/60 Hz 6W and 12V DC (9...18 V DC) 600 mA.

#### MULTI 1 Board:

- Clock: Date-Time.
- 4 Digital Input and 4 Digital Output.
- RS485 Communication Port and additional RS232Tx.

### 89356 WEIGHT INDICATOR SMART MULTI 2

- Stainless Steel enclosure (non hermetic).
- External connectors for load cells input and RS232 port.
- Power Supply at  $230 \pm 10\%$  V AC 50/60 Hz 6W.

#### MULTI 2 Board:

- Clock: Date-Time.
- 4 Digital Input and 4 Digital Output.
- RS485 Communication Port Opto-Isolated and additional RS232Tx.
- Analog Output: 0-5V, 0-10V, 0-20mA, 4-20mA; Opto-Isolated.

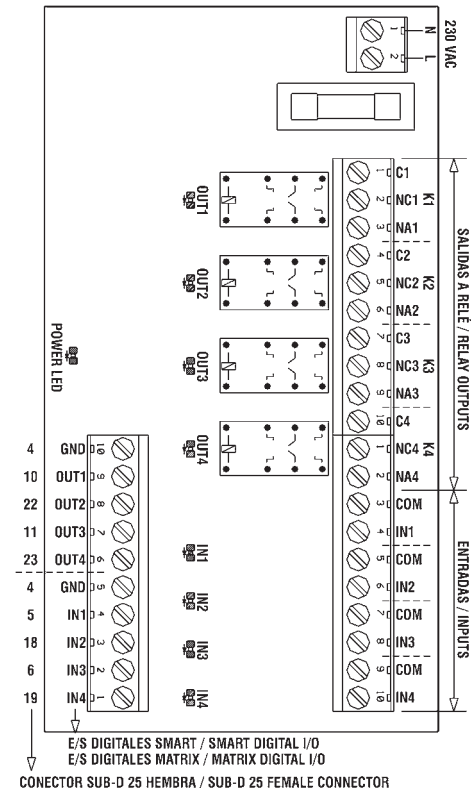
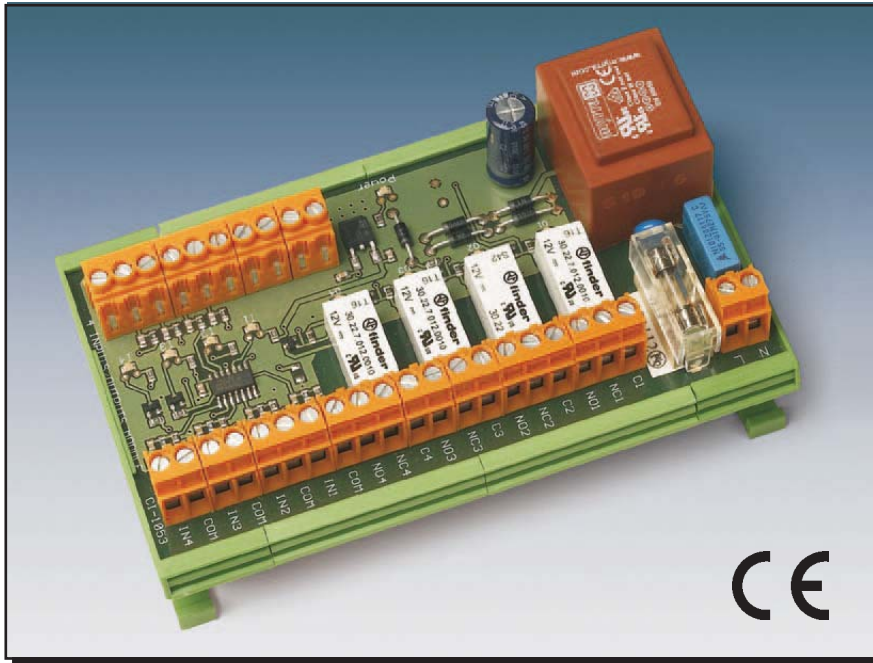
### 89357 WEIGHT INDICATOR SMART IP65 MULTI 2

- IP65 Stainless Steel enclosure.
- Hermetic cable gland entries and internal terminal connection.
- Power Supply at  $230 \pm 10\%$  V AC 50/60 Hz 6W and 12V DC (9...18 V DC) 600 mA.

#### MULTI 2 Board:

- Clock: Date-Time.
- 4 Digital Input and 4 Digital Output.
- RS485 Communication Port Opto-Isolated and additional RS232Tx.
- Analog Output: 0-5V, 0-10V, 0-20mA, 4-20mA; Opto-Isolated.

## 4 OUTPUT RELAYS / 4 INPUTS FOR SMART 4 AUSGANGSRELAIS / 4 EINGÄNGE FÜR SMART



This module is a conversion unit that directly connects the logical inputs and outputs of the Smart indicator and provides the user with 4 contact inputs and 4 relay outputs as well as the necessary power supply.

Dieses Modul kann direkt an den logischen Ein- und Ausgängen des SMART mit MULTI 1 und MULTI 2 Platine angeschlossen werden und bietet den Anwender 4 Eingänge und 4 Relaisausgänge inklusiv der notwendigen Spannungsversorgung.

TECHNICAL SPECIFICATIONS		TECHNISCHE DATEN
<b>POWER</b> Input voltage Fuse Consumption	230 V AC 50/60 Hz 250 V, 100 mA 2.4 W	<b>SPANNUNGSVERSORUNG</b> Eingangsspannung Sicherung Leistung
<b>OPERATING CONDITIONS</b> Operating temperature Range Storage Temperature limits	-25°C / +50°C -25°C / +70°C	<b>UMGEBUNGSBEDINGUNGEN</b> Gebrauchstemperatur Lagertemperatur
<b>INPUTS AND OUTPUTS</b> Inputs: Maximum Voltage Relay Outputs	24 V DC 125 V AC / 1A 30 V DC / 1A	<b>EIN- UND AUSGÄNGE</b> Maximale Eingangsspannung Relaisausgang
<b>MECHANICAL CHARACTERISTICS</b> Size Weight	136 x 82 x 57 mm 0.2 kg	<b>ABMESSUNGEN UND GEWICHT</b> Abmessungen Gewicht